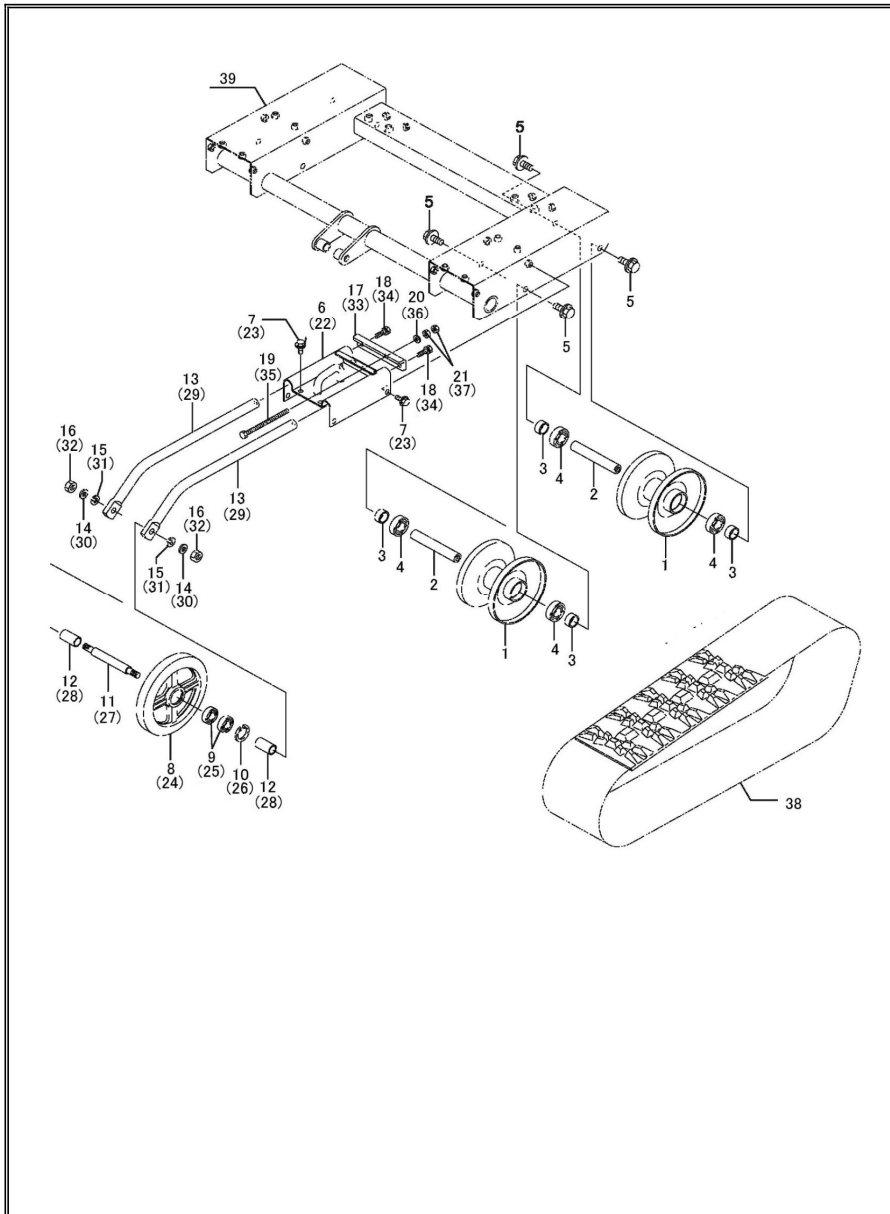


No.	Parts Number	Parts Name	Quantity	Recommend Rank	Remark
1	21200-B66-800	SUPPORT L COMP, TRANSMISSION	1		
2	96105-06004	BEARING, 6004UU	1		
3	91251-0820261	WASHER, RD 8 × 20 × 2.6	4		
4	93100-0802017	BOLT, FLANGE 8 × 20	4		
5	21300-B66-800	SUPPORT R COMP, TRANSMISSION	1		
6	96105-06004	BEARING, 6004UU	1		
7	91251-0820261	WASHER, RD 8 × 20 × 2.6	4		
8	93100-0802017	BOLT, FLANGE 8 × 20	4		
9	26901-B07-801	SPROCKET, DRIVE	2		
10	91251-1440451	WASHER, RD 14 × 40 × 4.5	2		
11	94111-14012	WASHER, SPG 14	2		
12	94001-14411	NUT, 14	2		
13	22100-B66-800	SUPPORT L COMP, AXLE	1		
14	93300-1002017	BOLT, FLANGE 10 × 1.25 × 20	4		
15	22200-B66-800	SUPPORT R COMP, AXLE	1		
16	93300-1002017	BOLT, FLANGE 10 × 1.25 × 20	4		
17	-				
18	-				
19	-				
20	-				
21	-				



No.	Parts Number	Parts Name	Quantity	Recommend Rank	Remark
1	26100-B50-801	WHEEL COMP, REAR	4		
2	24901-B50-000	SHAFT, WHEEL	4		
3	26901-B50-000	COLLER, 20×12.5	8		
4	96105-06004	BEARING, 6004UU	8		
5	93300-1202517	BOLT, FLANGE 12×1.25×25	8		
6	21400-B66-801	BRACKET COMP, BEAM SUPPORT	1		
7	93100-0801617	BOLT, FLANGE 8×16	8		
8	26902-A02-800	WHEEL, FRONT	1		
9	96105-06003	BEARING, 6003UU	2		
10	94520-35080	CIRCLIP, IN 35	1		
11	24901-B66-000	SHAFT, WHEEL	1		
12	24902-B66-800	COLLER, 17×39	2		
13	21903-B66-800	SUPPORT, BEAM	2		
14	94101-12010	WASHER, PLAIN 12	2		
15	94111-12012	WASHER, SPG 12	2		
16	94001-12412	NUT, 12	2		
17	21901-B66-800	SUPPORT L, TENSION BEAM	1		
18	91219-0825010	BOLT, SPECIAL 8×25	2		
19	92001-0812014	BOLT, 8×120	1		
20	94101-08010	WASHER, PLAIN 8	1		
21	94003-08412	NUT, SPECIAL 8	2		
22	21400-B66-801	BRACKET COMP, BEAM SUPPORT	1		
23	93100-0801617	BOLT, FLANGE 8×16	8		
24	26902-A02-800	WHEEL, FRONT	1		
25	96105-06003	BEARING, 6003UU	2		
26	94520-35080	CIRCLIP, IN 35	1		
27	24901-B66-000	SHAFT, WHEEL	1		
28	24902-B66-800	COLLER, 17×39	2		
29	21903-B66-800	SUPPORT, BEAM	2		
30	94101-12010	WASHER, PLAIN 12	2		
31	94111-12012	WASHER, SPG 12	2		
32	94001-12412	NUT, 12	2		
33	21902-B66-800	SUPPORT R, TENSION BEAM	1		
34	91219-0825010	BOLT, SPECIAL 8×25	2		
35	92001-0812014	BOLT, 8×120	1		
36	94101-08010	WASHER, PLAIN 8	1		
37	94003-08412	NUT, SPECIAL 8	2		
38	23901-A31-003	CRAWLER, 200×27×72RR	2		
39	21100-B66-802	FRAME COMP, CRAWLER	1		

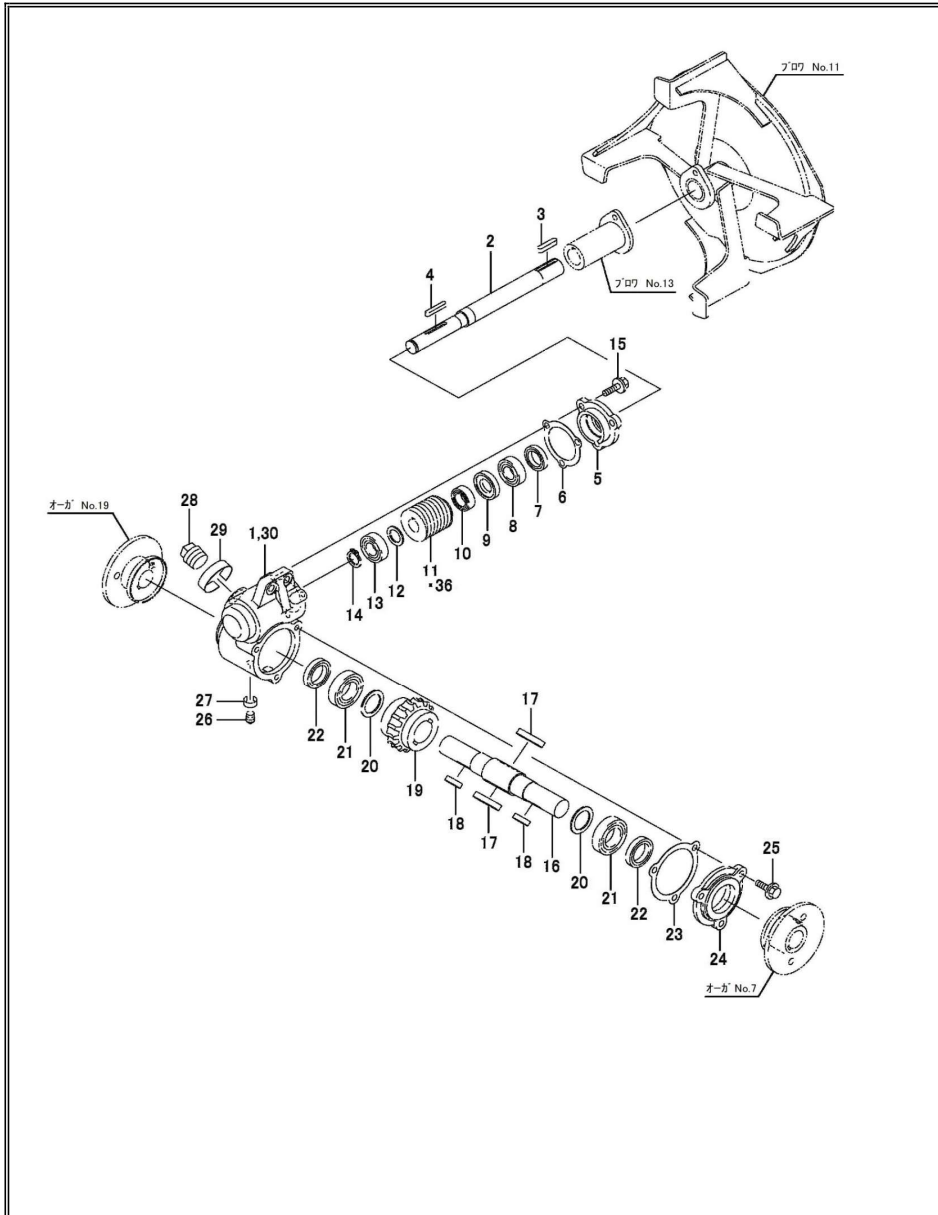












No.	Parts Number	Parts Name	Quantity	Recommend Rank	Remark
1	34901-B51-700	CASE, AUGER GEAR	1		
2	32903-A90-002	SHAFT, AUGER INPUT	1		
3	97114-035241	KEY, 7×7×35RR	1		
4	97113-038241	KEY, 6×6×38RR	1		
5	31904-A31-701	COVER A, GEAR CASE	1		
6	39901-A31-002	PACKING A, GEAR CASE COVER	1		
7	98251-2503807	SEAL, OIL D25387	1		
8	96100-06004	BEARING, 6004	1		
9	32904-A31-001	COLLER, THRUST	1		
10	96200-051104	BEARING, THRUST 51104	1		
11	91912-A05-001	WASHER, RD 20×30×2	1		
12	96100-06004	BEARING, 6004	1		
13	94510-20080	CIRCLIP, EX 20	1		
14	93100-0802017	BOLT, FLANGE 8×20	3		
15	34901-B08-001	SHAFT, AUGER	1		
16	97116-048241	KEY, 10×8×48RR	2		
17	97115-028241	KEY, 8×7×28RR	2		
18	32902-A90-000	WHEEL, WORM M3×20	1		
19	91302-A31-000	WASHER, RD 30×42×2	2		
20	96100-06006	BEARING, 6006	2		
21	98251-3004508	SEAL, OIL D30458	2		
22	39902-A31-002	PACKING B, GEAR CASE COVER	1		
23	31905-A31-700	COVER B, GEAR CASE	1		
24	93100-0802517	BOLT, FLANGE 8×25	3		
25	91555-0141	PLUG, PT1/8	1		
26	91941-050	TAPE 50, SEAL	1		
27	91555-0641	PLUG, PT3/4	1		
28	91941-150	TAPE 150, SEAL	1		
29	73251-V15-F002	GEAR,DRIVE	1		
30					
31					
32					
33					
34					
35					
36					

























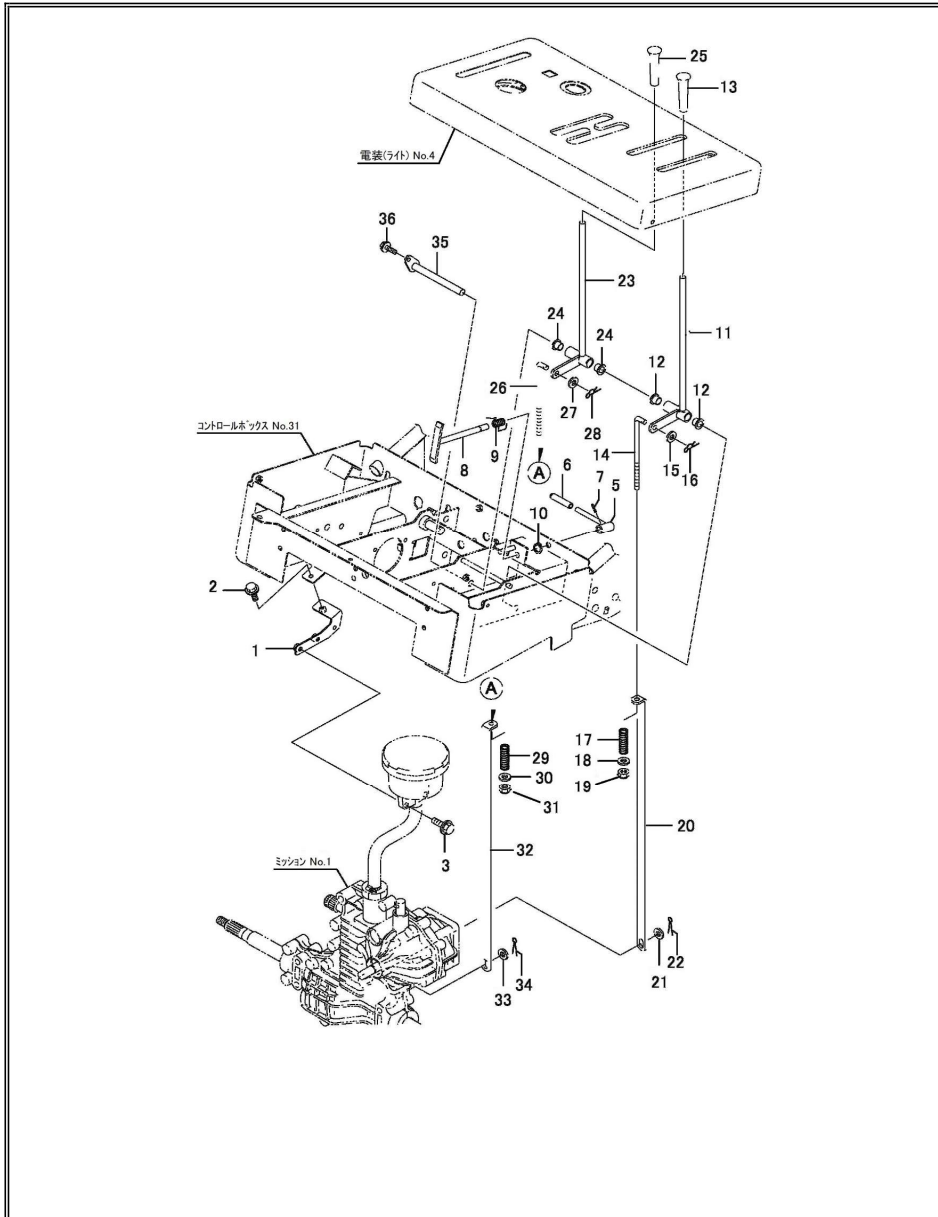












No.	Parts Number	Parts Name	Quantity	Recommend Rank	Remark
1	11100-B70-830	STAY, SUB TANK	1		
2	93100-0601617	BOLT, FLANGE 6×16	1		
3	93100-0802017	BOLT, FLANGE 8×20	2		
5	73700-B43-801	LEVER COMP, PARKING BRAKE	1		
6	91731-0809023	GRIP, LEVER RJ8	1		
7	94319-30016	PIN, SPLIT 3×16	1		
8	73800-B43-051	BRAKE COMP, PARKING	1		
9	73904-B43-001	SPRING, SPECIAL	1		
10	94510-10080	CIRCLIP, EX 10	1		
11	73200-B43-850	LEVER L COMP, SIDE CLUTCH	1		
12	91644-121080	BUSH, 80F-1210	2		
13	91731-1008014	GRIP, LEVER OH10	1		
14	73901-B43-050	ROD, SIDE CLUTCH	1		
15	94101-08010	WASHER, PLAIN 8	1		
16	94251-080111	PIN A, SNAP 8×1.8	1		
17	91601-A91-001	SPRING, COIL 14×50	1		
18	94101-08010	WASHER, PLAIN 8	1		
19	91233-084120	NUT, SPECIAL 8	1		
20	73907-B43-800	ROD BL, SIDE CLUTCH	1		
21	94101-08010	WASHER, PLAIN 8	1		
22	94210-25150	PIN, SPLIT 2.5×15	1		
23	73400-B43-850	LEVER R COMP, SIDE CLUTCH	1		
24	91644-121080	BUSH, 80F-1210	2		
25	91731-1008014	GRIP, LEVER OH10	1		
26	73901-B43-050	ROD, SIDE CLUTCH	1		
27	94101-08010	WASHER, PLAIN 8	1		
28	94251-080111	PIN A, SNAP 8×1.8	1		
29	91601-A91-001	SPRING, COIL 14×50	1		
30	94101-08010	WASHER, PLAIN 8	1		
31	91233-084120	NUT, SPECIAL 8	1		
32	73902-B43-801	ROD B, SIDE CLUTCH	1		
33	94101-08010	WASHER, PLAIN 8	1		
34	94210-25150	PIN, SPLIT 2.5×15	1		
35	76500-B43-000	PIN 120 COMP, LEVER	1		
36	93100-0601217	BOLT, FLANGE 6×12	1		























