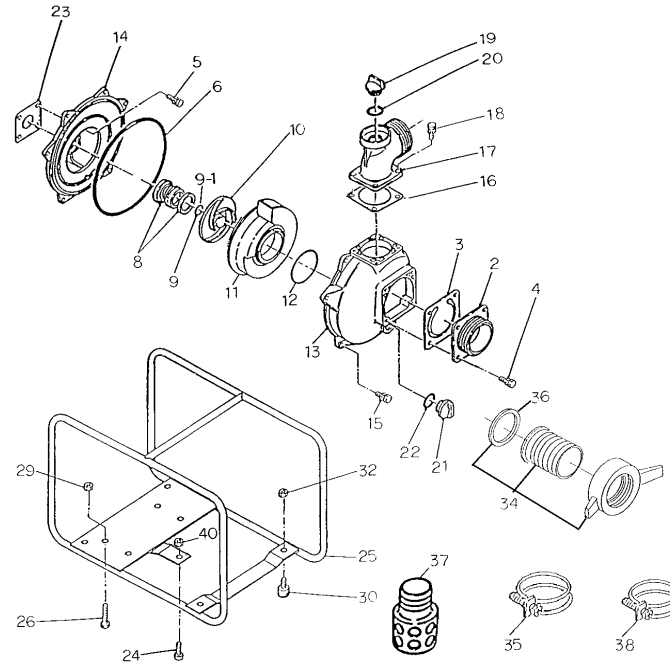



PARTS PRICE LIST : CP-305ST

MEC : 2014/11/13

| No. | PARTS NO. | PARTS NAME | Q'TY | MATERIAL |
|-----|------------------|-----------------------------|------|-------------|
| | EX17 | ENGINE | | |
| 2 | 4328-100160 | SUCTION COVER | 1 | ADC |
| 3 | 1378-350350 | CHECK VALVE | 1 | NBR+SS400 |
| 4 | 018105-0825 | BOLT SET WITH SPRING WASHER | 4 | SS400 |
| 5 | 018105-0825 | BOLT SET WITH SPRING WASHER | 4 | SS400 |
| 6 | 048935-2550 | O-RING | 1 | NBR |
| 8 | 080344-2320 | MECHANICAL SEAL | 1 | SICxSIC |
| 9 | 085283-1600 | ADJUST LINER | 1 | BSP |
| 9-1 | 085285-1600 | ADJUST LINER | 1 | BSP |
| 10 | 1396-000030 | IMPELLER | 1 | FC |
| 11 | 1391-000130 | VOLUTE CASING | 1 | FC |
| 12 | 048220-0750 | O-RING | 1 | NBR |
| 13 | 1378-100010B | CASING | 1 | ADC |
| 14 | 1378-100020 | CASING COVER | 1 | ADC |
| 15 | 018105-0825 | BOLT SET WITH SPRING WASHER | 6 | SS400 |
| 16 | 1803-330360 | DELIVERY COVER PACKING | 1 | NBR |
| 17 | 4328-100090 | DELIVERY ELBOW | 1 | ADC |
| 18 | 018105-0825 | BOLT SET WITH SPRING WASHER | 4 | SS400 |
| 19 | 063121-1100ASSY | FLOODING CAP WITH O-RING | 1 | ABS |
| 20 | 048035-0300 | O-RING (FLOODING CAP) | 1 | NBR |
| 21 | 063121-1100ASSY | DRAIN CAP WITH O-RING | 1 | ABS |
| 22 | 048035-0300 | O-RING (DRAIN CAP) | 1 | NBR |
| 23 | 1211-390610 | CASING COVER PACKING | 1 | THREE SHEET |
| 24 | 018105-0820 | BOLT SET WITH SPRING WASHER | 1 | SS400 |
| 25 | 1328-214010-0004 | FRAME | 1 | SS400 |

| No. | PARTS NO. | PARTS NAME | Q'TY | MATERIAL |
|-----|-------------|-----------------------|------|-----------|
| 26 | 010505-0840 | BOLT | 4 | SS400 |
| 29 | 020915-0080 | FLANGE NUT | 4 | SS400 |
| 30 | 072332-3040 | CUSHION RUBBER | 4 | NBR+SS400 |
| 32 | 020915-0080 | FLANGE NUT | 4 | SS400 |
| 34 | 074119-4080 | HOSE COUPLING SET | 2 | PE |
| 35 | 093225-0090 | WIRE HOSE BAND | 2 | SWRM |
| 36 | 074133-0801 | HOSE COUPLING PACKING | 2 | NBR |
| 37 | 074221-1080 | STRAINER | 1 | SS400 |
| 38 | 093225-3000 | WIRE HOSE BAND | 1 | SWRM |
| 40 | 020545-0080 | NUT | 1 | SS400 |



 MATSUSAKA ENGINEERING CO., LTD.