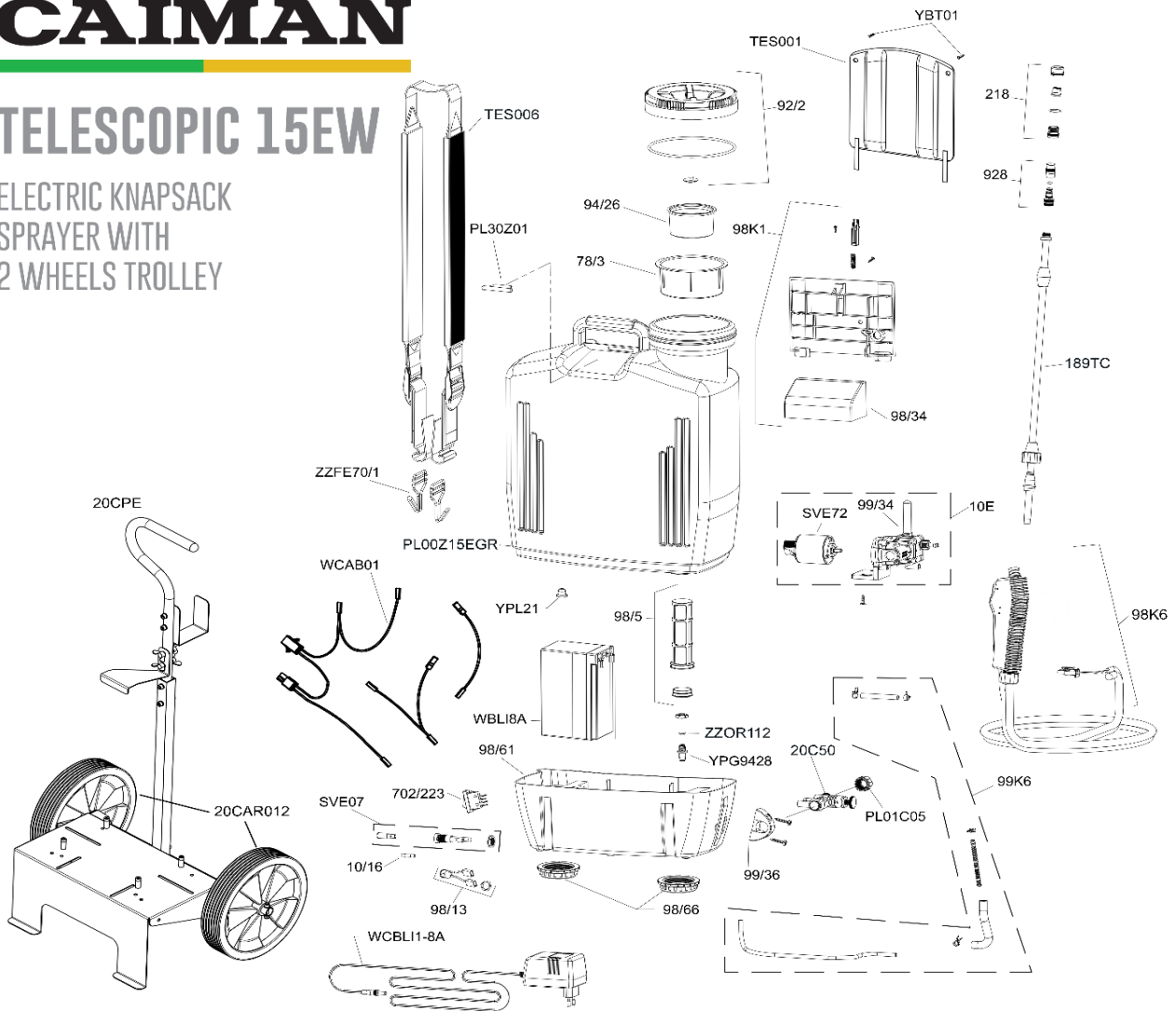


CAIMAN

TELESCOPIC 15EW

ELECTRIC KNAPSACK
SPRAYER WITH
2 WHEELS TROLLEY



Code	Description
TES006	Complete shoulder straps
ZZFE70/1	Hook for shoulder strap
PL30Z01	Plastic tab for shoulder strap
92/2	Screw lid with valve and O-Ring
94/26	Measuring cup
78/3	Plastic filter Ø100
PL00Z15EGR	15 liters Polyethylene tank
98/5	Complete suction filter
98K1	Complete battery cover
98/13	Battery connecting plug
98/34	Box card holder
YPG9428	Hose connection
ZZOR112	O-Ring to the hose connection
YPL21	Rubber grommet
WBLI8A	12V lithium battery
10E	Piston pump with motor
SVE72	Electric motor
99/34	Piston pump without motor
99K6	Complete set of hoses
702/223	ON-OFF general switch

10/16	Fuse 5x20 5A
SVE07	Fuse holder 5x20
98/61	Base for plastic tank
98/66	Threaded ring 1 1/2"
99/36	Support for pressure regulator
20C50	Complete pressure regulator
PL01C05	Locking hose ring
WCBLI1-8A	12V battery charger
98K6	Handle with 2,5 mm hoses
189TC	Telescopic pipe
928	Adjustable nozzle
218	Fan nozzle
20CPE	Complete trolley
20CAR012	Wheel for trolley