

This catalog covers:
FJ180V-□M89

This fig. covers:
TITLE

PARTS CATALOG

4-STROKE ENGINE

FJ180V

| PRODUCT CODE | NOTE |
|--------------|-------|
| FJ180V-AM89 | MOWER |
| | |
| | |
| | |
| | |
| | |
| | |

This catalog covers:

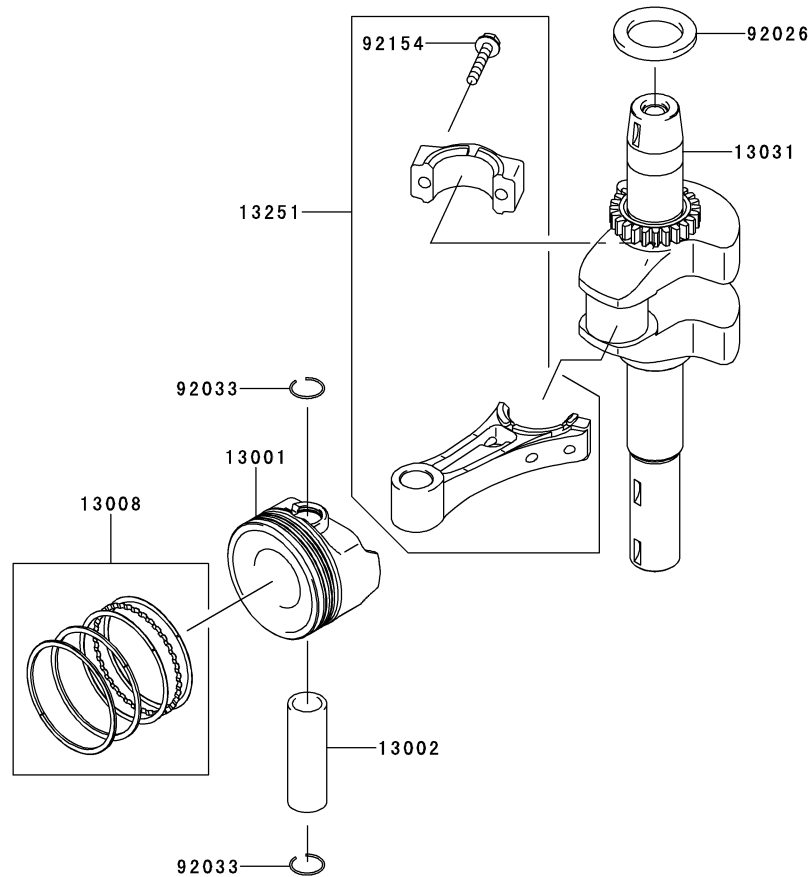
FJ180V- □ M89

This fig. covers:

02 PISTON/CRANKSHAFT

E0120-A488A

| Ref. No. | Part No. | Description | Quantity |
|----------|------------|---------------------|----------|
| 13001 | 13001-2175 | PISTON-ENGINE | 1 |
| 13002 | 13002-2102 | PIN-PISTON | 1 |
| 13008 | 13008-6073 | RING-SET-PISTON | 1 |
| 13031 | 13031-2129 | CRANKSHAFT-COMP | 1 |
| 13251 | 13251-0721 | ROD-ASSY-CONNECTING | 1 |
| 92026 | 92026-2361 | SPACER,28X41.5X3.6 | 1 |
| 92033 | 92033-2199 | RING-SNAP | 2 |
| 92154 | 92154-0816 | BOLT,6X30 | 2 |



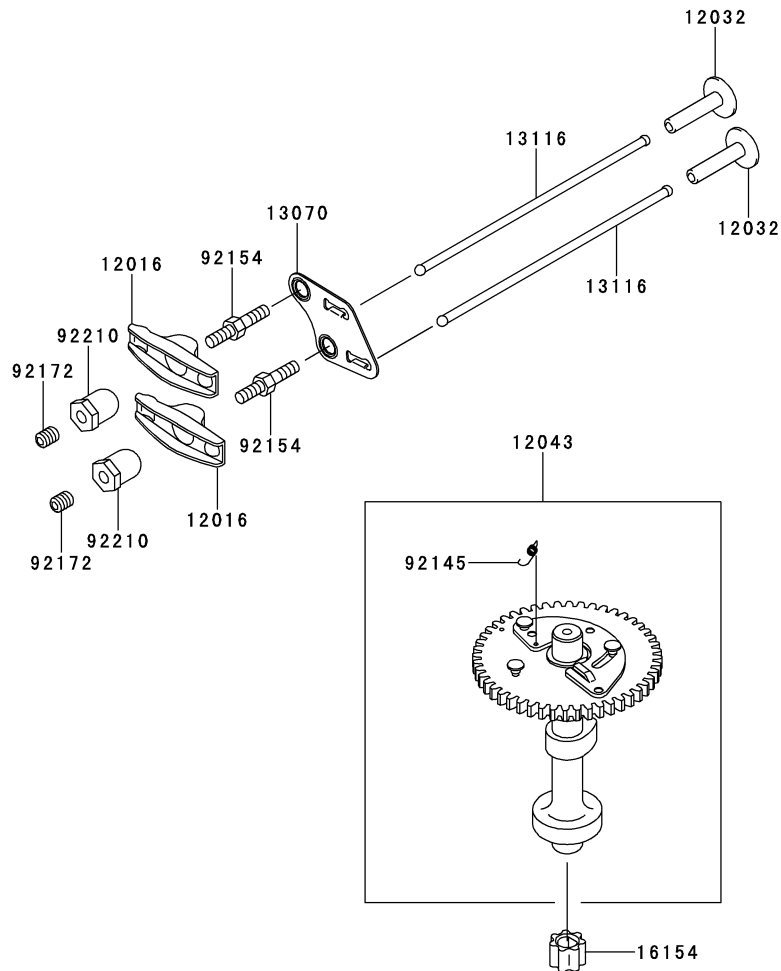
This catalog covers:

FJ180V- □ M89

This fig. covers:

03 VALVE/CAMSHAFT

E0130-A227A



| Ref. No. | Part No. | Description | Quantity |
|----------|------------|---------------------|----------|
| 12016 | 12016-2067 | ARM-ROCKER | 2 |
| 12032 | 12032-2074 | TAPPET | 2 |
| 12043 | 12043-2001 | CAMSHAFT-ASSY-VALVE | 1 |
| 13070 | 13070-2118 | GUIDE | 1 |
| 13116 | 13116-2076 | ROD-PUSH | 2 |
| 16154 | 16154-7004 | ROTOR-PUMP | 1 |
| 92145 | 92145-2179 | SPRING | 1 |
| 92154 | 92154-2009 | BOLT | 2 |
| 92172 | 92172-2107 | SCREW | 2 |
| 92210 | 92210-2123 | NUT, M6 | 2 |

This catalog covers:

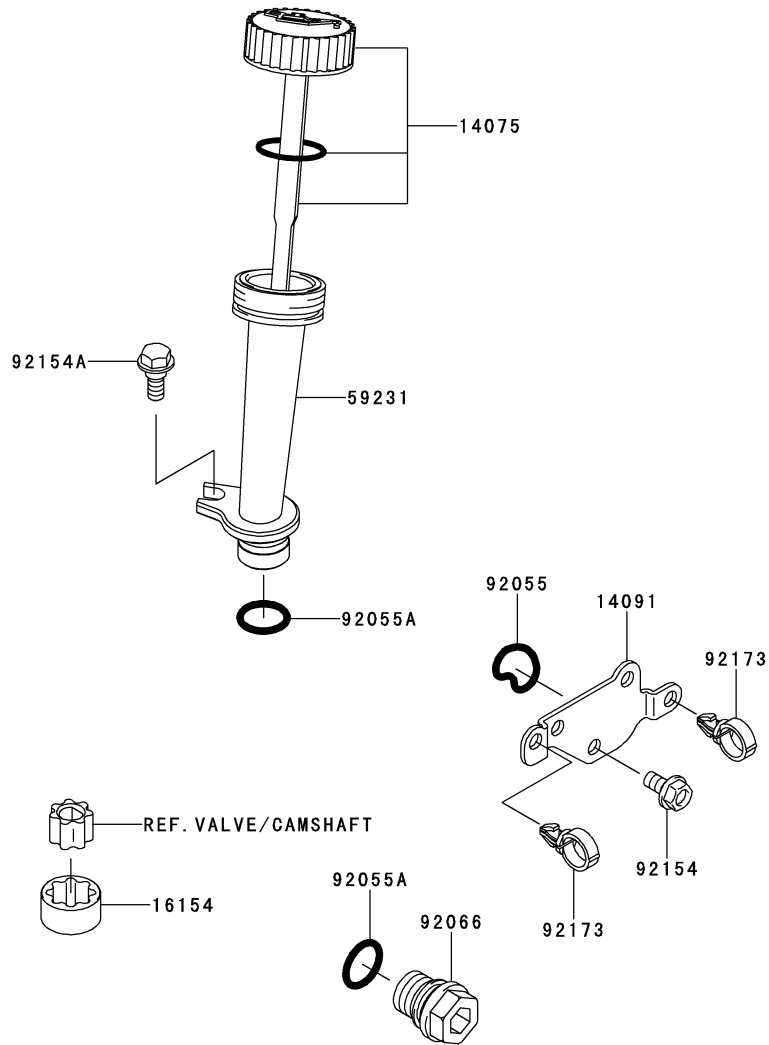
FJ180V- □ M89

This fig. covers:

04 LUBRICATION-EQUIPMENT

E0140-A455H

| Ref. No. | Part No. | Description | Quantity |
|----------|------------|------------------|----------|
| 14075 | 14075-0032 | CAP-ASSY | 1 |
| 14091 | 14091-2139 | COVER,OIL FILTER | 1 |
| 16154 | 16154-7002 | ROTOR-PUMP | 1 |
| 59231 | 59231-2099 | FILLER | 1 |
| 92055 | 92055-2212 | RING-O | 1 |
| 92055A | 92055-2214 | RING-O,15.8X2.4 | 2 |
| 92066 | 92066-2257 | PLUG | 1 |
| 92154 | 92154-2003 | BOLT,6X12 | 3 |
| 92154A | 92154-2006 | BOLT,M6 | 1 |
| 92173 | 92173-1439 | CLAMP | 2 |



This catalog covers:

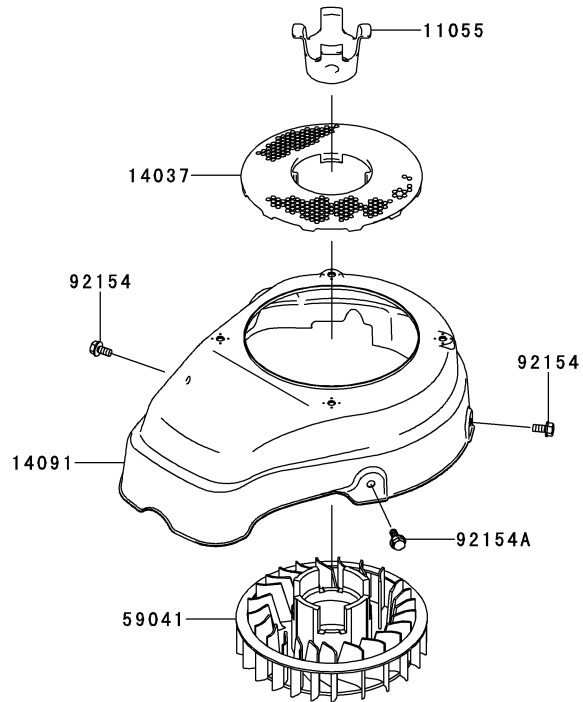
FJ180V- □ M89

This fig. covers:

05 COOLING-EQUIPMENT

E0150-A799B

| Ref. No. | Part No. | Description | Quantity |
|----------|------------|-------------|----------|
| 11055 | 11055-2014 | BRACKET,FAN | 1 |
| 14037 | 14037-2154 | SCREEN | 1 |
| 14091 | 14091-2145 | COVER | 1 |
| 59041 | 59041-2098 | FAN | 1 |
| 92154 | 92154-2003 | BOLT,6X12 | 2 |
| 92154A | 92154-2006 | BOLT,M6 | 1 |



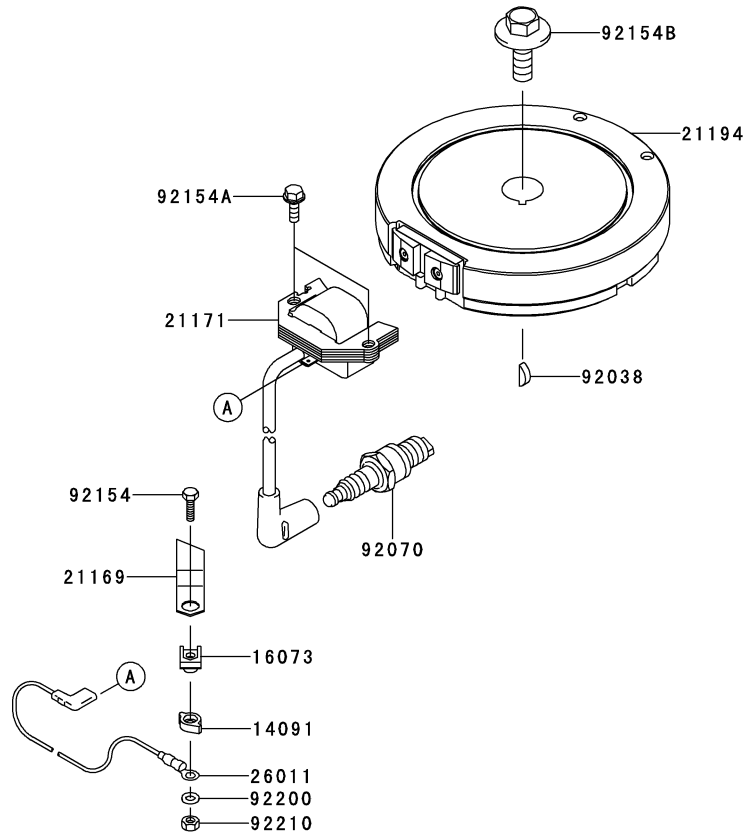
This catalog covers:

FJ180V- □ M89

This fig. covers:

06 ELECTRIC-EQUIPMENT

E0160-B181B



| Ref. No. | Part No. | Description | Quantity |
|----------|------------|------------------------|----------|
| 14091 | 14091-2141 | COVER | 1 |
| 16073 | 16073-2241 | INSULATOR | 1 |
| 21169 | 21169-2077 | TERMINAL | 1 |
| 21171 | 21171-2267 | COIL-ASSY-IGNITION | 1 |
| 21194 | 21194-2355 | FLYWHEEL-COMP | 1 |
| 26011 | 26011-2390 | WIRE-LEAD | 1 |
| 92038 | 92038-2107 | KEY | 1 |
| 92070 | 92070-2119 | PLUG-SPARK,BPR5ES(NGK) | 1 |
| 92154 | 92154-2014 | BOLT,4X16 | 1 |
| 92154A | 92154-2016 | BOLT,6X20 | 2 |
| 92154B | 92154-2017 | BOLT,12X30 | 1 |
| 92200 | 92200-2183 | WASHER,4.5X8X0.5 | 1 |
| 92210 | 92210-2126 | NUT,M4 | 1 |

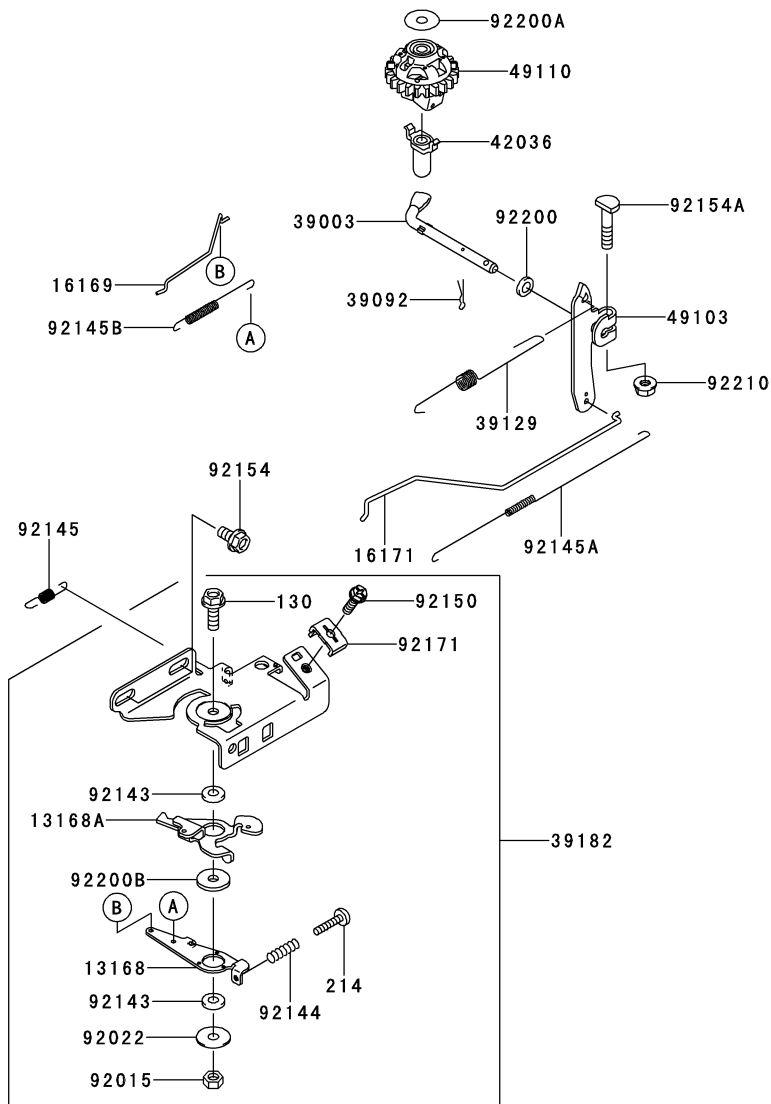
This catalog covers:

FJ180V- □ M89

This fig. covers:

07 CONTROL-EQUIPMENT

E0170-A656B



| Ref. No. | Part No. | Description | Quantity |
|----------|------------|--------------------|----------|
| 13168 | 13168-2518 | LEVER | 1 |
| 13168A | 13168-2519 | LEVER | 1 |
| 16169 | 16169-2148 | LINK-CHOKE | 1 |
| 16171 | 16171-2106 | LINK,THROTTLE | 1 |
| 39003 | 39003-2104 | ARM-PIVOT | 1 |
| 39092 | 39092-2055 | PIN-HAIR | 1 |
| 39129 | 39129-2127 | SPRING-GOVERNOR | 1 |
| 39182 | 39182-2195 | PANEL-ASSY-CONTROL | 1 |
| 42036 | 42036-2051 | SLEEVE | 1 |
| 49103 | 49103-2177 | ARM-GOVERNOR | 1 |
| 49110 | 49110-2102 | GOVERNOR-ASSY | 1 |
| 92015 | 92015-2051 | NUT,LOCK | 1 |
| 92022 | 92022-2372 | WASHER,6X19X1.2 | 1 |
| 92143 | 92143-2135 | COLLAR,6X13X2.3 | 2 |
| 92144 | 92144-2266 | SPRING | 1 |
| 92145 | 92145-2180 | SPRING | 1 |
| 92145A | 92145-2182 | SPRING,THROTTLE | 1 |
| 92145B | 92145-2185 | SPRING | 1 |
| 92150 | 92150-2182 | BOLT,5X18 | 1 |
| 92154 | 92154-2003 | BOLT,6X12 | 2 |
| 92154A | 92154-2018 | BOLT,6X28 | 1 |
| 92171 | 92171-7016 | CLAMP | 1 |
| 92200 | 92200-2184 | WASHER,6.5X11.5X2 | 1 |
| 92200A | 92200-2185 | WASHER,6.2X20X0.5 | 1 |
| 92200B | 92200-7047 | WASHER | 1 |
| 92210 | 92210-2121 | NUT,M6 | 1 |
| 130 | 130AA0618 | BOLT-FLANGED,6X18 | 1 |
| 214 | 214AA0420 | SCREW-PAN+,-,4X20 | 1 |

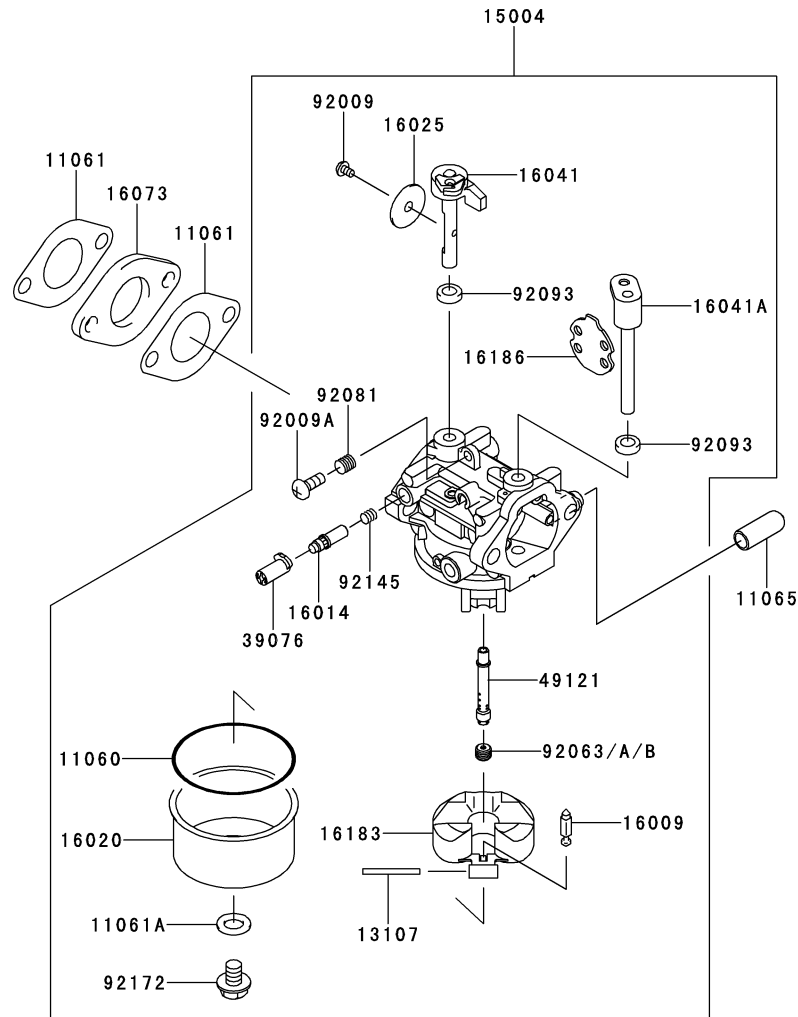
This catalog covers:

FJ180V- □ M89

This fig. covers:

08 CARBURETOR

E0180-A922A



| Ref. No. | Part No. | Description | Quantity |
|----------|------------|---------------------|----------|
| 11060 | 11060-2190 | GASKET | 1 |
| 11061 | 11061-2215 | GASKET,INSULATOR | 2 |
| 11061A | 11061-7010 | GASKET,SCREW | 1 |
| 11065 | 11065-2140 | CAP | 1 |
| 13107 | 13107-7024 | SHAFT | 1 |
| 15004 | 15004-7010 | CARBURETOR-ASSY | 1 |
| 16009 | 16009-2136 | NEEDLE-JET | 1 |
| 16014 | 16014-7008 | SCREW-PILOT AIR | 1 |
| 16020 | 16020-7004 | CHAMBER-FLOAT | 1 |
| 16025 | 16025-7007 | VALVE-THROTTLE | 1 |
| 16041 | 16041-7019 | SHAFT-CARBURETOR | 1 |
| 16041A | 16041-7020 | SHAFT-CARBURETOR | 1 |
| 16073 | 16073-2240 | INSULATOR | 1 |
| 16183 | 16183-2002 | FLOAT-ASSY | 1 |
| 16186 | 16186-7003 | VALVE-ASSY-CHOKE | 1 |
| 39076 | 39076-7001 | LIMITER | 1 |
| 49121 | 49121-7014 | NOZZLE-MAIN | 1 |
| 92009 | 92009-2083 | SCREW | 1 |
| 92009A | 92009-2349 | SCREW | 1 |
| 92063 | 92063-7067 | JET-MAIN,#70 | 1 |
| 92063A | 92063-7108 | JET-MAIN,#68,3280FT | AR |
| 92063B | 92063-7109 | JET-MAIN,#66,6560FT | AR |
| 92081 | 92081-2234 | SPRING | 1 |
| 92093 | 92093-2100 | SEAL | 2 |
| 92145 | 92145-7015 | SPRING | 1 |
| 92172 | 92172-7002 | SCREW | 1 |

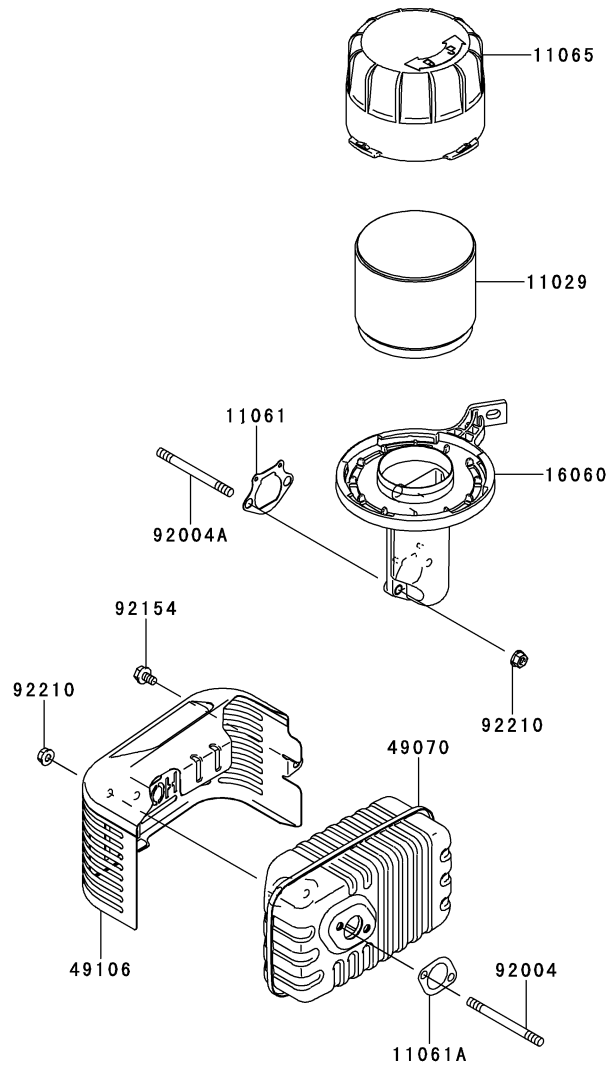
This catalog covers:

FJ180V- □ M89

This fig. covers:

09 AIR-FILTER/MUFFLER

E0190-B520A



| Ref. No. | Part No. | Description | Quantity |
|----------|------------|-------------------------|----------|
| 11029 | 11029-0019 | ELEMENT-ASSY-AIR FILTER | 1 |
| 11061 | 11061-2211 | GASKET,PIPE INTAKE | 1 |
| 11061A | 11061-2212 | GASKET,MUFFLER | 1 |
| 11065 | 11065-2135 | CAP,AIR FILTER | 1 |
| 16060 | 16060-2219 | PIPE-INTAKE | 1 |
| 49070 | 49070-2792 | MUFFLER-COMP | 1 |
| 49106 | 49106-2676 | COVER-MUFFLER | 1 |
| 92004 | 92004-2162 | STUD,6X80 | 2 |
| 92004A | 92004-2164 | STUD,6X75 | 2 |
| 92154 | 92154-1666 | BOLT,6X12 | 1 |
| 92210 | 92210-2121 | NUT,M6 | 4 |

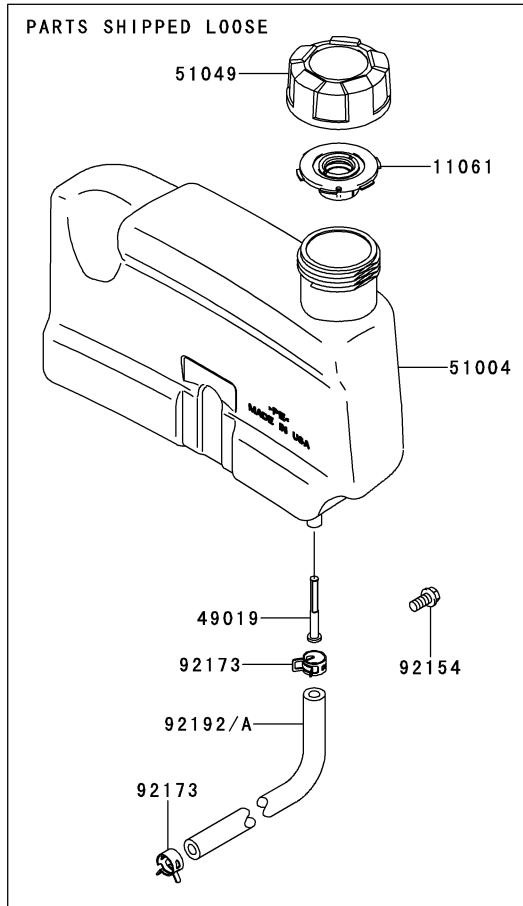
This catalog covers:

FJ180V- □ M89

E0200-A950A

This fig. covers:

10 FUEL-TANK/FUEL-VALVE



| Ref. No. | Part No. | Description | Quantity |
|----------|------------|--------------------|----------|
| 11061 | 11061-2216 | GASKET | 1 |
| 49019 | 49019-2119 | FILTER-FUEL | 1 |
| 51004 | 51004-2117 | TANK-FUEL | 1 |
| 51049 | 51049-2087 | CAP-TANK,FUEL | 1 |
| 92154 | 92154-1666 | BOLT,6X12 | 2 |
| 92173 | 92173-1422 | CLAMP | 2 |
| 92192 | 92192-1574 | TUBE,6.35X12.7X330 | 1 |
| 92192A | 92192-2186 | TUBE,6.35X12.7X330 | * |

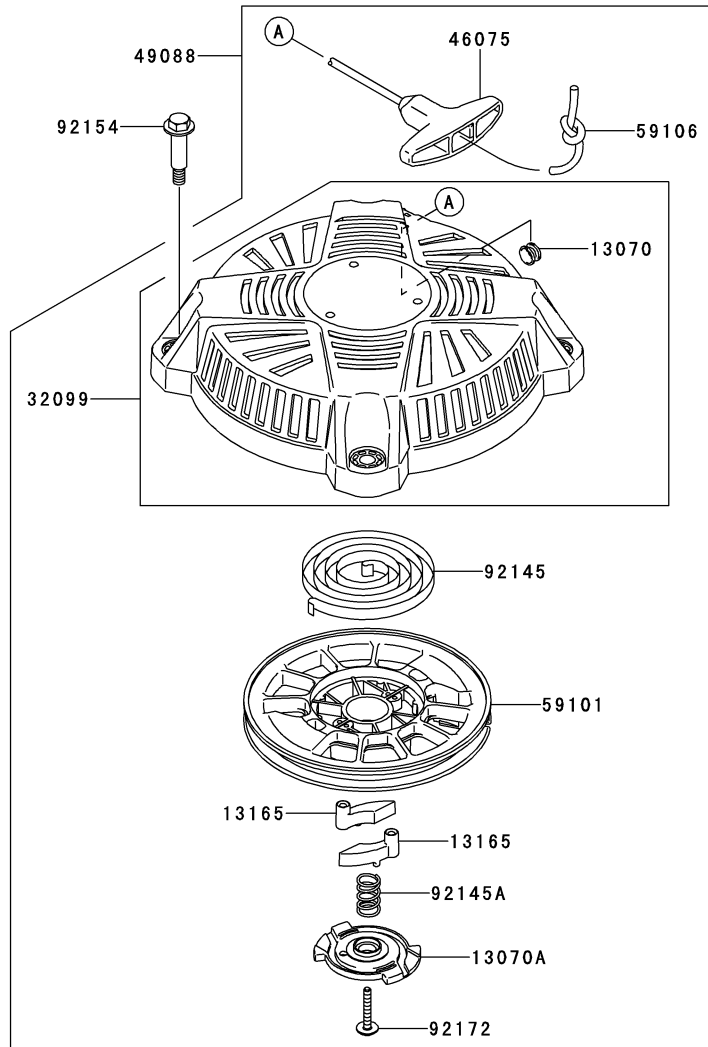
This catalog covers:

FJ180V- □ M89

This fig. covers:

11 STARTER

E0210-A509A



| Ref. No. | Part No. | Description | Quantity |
|----------|------------|---------------------|----------|
| 13070 | 13070-2124 | GUIDE,ROPE | 1 |
| 13070A | 13070-2125 | GUIDE | 1 |
| 13165 | 13165-2108 | PAWL,STARTER-RECOIL | 2 |
| 32099 | 32099-2435 | CASE,STARTER-RECOIL | 1 |
| 46075 | 46075-7002 | GRIP | 1 |
| 49088 | 49088-2584 | STARTER-RECOIL | 1 |
| 59101 | 59101-2128 | REEL,STARTER-RECOIL | 1 |
| 59106 | 59106-2187 | ROPE,3.5X2200 | 1 |
| 92145 | 92145-2200 | SPRING,SPIRAL | 1 |
| 92145A | 92145-2201 | SPRING | 1 |
| 92154 | 92154-2015 | BOLT,M6 | 4 |
| 92172 | 92172-2131 | SCREW | 1 |

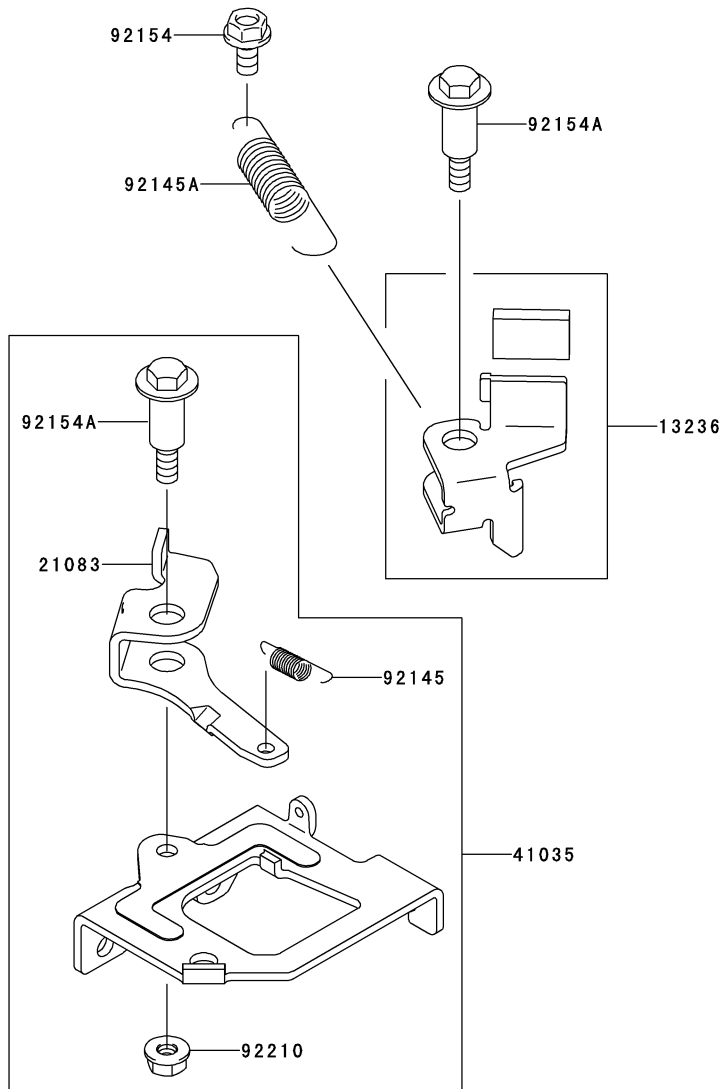
This catalog covers:

FJ180V- □ M89

This fig. covers:

12 BRAKE/COVER

F0220-A013X



| Ref. No. | Part No. | Description | Quantity |
|----------|------------|------------------|----------|
| 13236 | 13236-7008 | LEVER-COMP | 1 |
| 21083 | 21083-7016 | ARM | 1 |
| 41035 | 41035-0703 | PANEL-ASSY-BRAKE | 1 |
| 92145 | 92145-2180 | SPRING | 1 |
| 92145A | 92145-2181 | SPRING | 1 |
| 92154 | 92154-1666 | BOLT,6X12 | 1 |
| 92154A | 92154-2005 | BOLT,M6 | 2 |
| 92210 | 92210-2121 | NUT,M6 | 1 |

This catalog covers:

FJ180V- □ M89

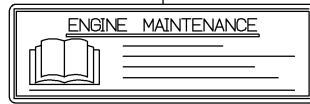
This fig. covers:

13 LABEL

F0290-B887A

| Ref. No. | Part No. | Description | Quantity |
|----------|------------|---------------|----------|
| 56033 | 56033-2087 | LABEL-MANUAL | 1 |
| 56071 | 56071-0358 | LABEL-WARNING | 1 |
| 56080 | 56080-0767 | LABEL-BRAND | 1 |

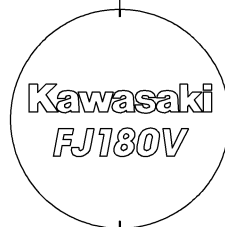
56033



56071



56080



This catalog covers:

FJ180V- □ M89

This fig. covers:

PART NAME INDEX

| | |
|-----------------------------|----|
| AIR-FILTER/MUFFLER | 09 |
| BRAKE/COVER | 12 |
| CARBURETOR | 08 |
| CONTROL-EQUIPMENT | 07 |
| COOLING-EQUIPMENT | 05 |
| CYLINDER/CRANKCASE | 01 |
| ELECTRIC-EQUIPMENT | 06 |
| FUEL-TANK/FUEL-VALVE | 10 |
| LABEL | 13 |
| LUBRICATION-EQUIPMENT | 04 |
| PISTON/CRANKSHAFT | 02 |
| STARTER | 11 |
| VALVE/CAMSHAFT | 03 |

This catalog covers:

FJ180V- □ M89

This fig. covers:

NUMERICAL PARTS INDEX

| Part No. | Fig No. | Part No. | Fig No. | Part No. | Fig No. | Part No. | Fig No. | Part No. | Fig No. |
|------------|---------|------------|---------|------------|---------|----------|---------|----------|---------|
| 11004-2146 | 01 | 16183-2002 | 08 | 92143-2135 | 07 | | | | |
| 11008-2171 | 01 | 16186-7003 | 08 | 92144-2266 | 07 | | | | |
| 11022-2083 | 01 | 21083-7016 | 12 | 92145-2179 | 03 | | | | |
| 11029-0019 | 09 | 21169-2077 | 06 | 92145-2180 | 07 | | | | |
| 11055-2014 | 05 | 21171-2267 | 06 | 92145-2180 | 12 | | | | |
| 11060-2190 | 08 | 21194-2355 | 06 | 92145-2181 | 12 | | | | |
| 11061-0862 | 01 | 214AA0420 | 07 | 92145-2182 | 07 | | | | |
| 11061-2210 | 01 | 26011-2390 | 06 | 92145-2185 | 07 | | | | |
| 11061-2211 | 09 | 32099-2435 | 11 | 92145-2200 | 11 | | | | |
| 11061-2212 | 09 | 39003-2104 | 07 | 92145-2201 | 11 | | | | |
| 11061-2213 | 01 | 39076-7001 | 08 | 92145-7015 | 08 | | | | |
| 11061-2215 | 08 | 39092-2055 | 07 | 92150-2182 | 07 | | | | |
| 11061-2216 | 10 | 39129-2127 | 07 | 92154-0816 | 02 | | | | |
| 11061-7010 | 08 | 39182-2195 | 07 | 92154-0821 | 01 | | | | |
| 11065-2135 | 09 | 41035-0703 | 12 | 92154-1666 | 09 | | | | |
| 11065-2140 | 08 | 42036-2051 | 07 | 92154-1666 | 10 | | | | |
| 12004-2122 | 01 | 46075-7002 | 11 | 92154-1666 | 12 | | | | |
| 12005-2107 | 01 | 49019-2119 | 10 | 92154-2003 | 01 | | | | |
| 12009-2072 | 01 | 49070-2792 | 09 | 92154-2003 | 04 | | | | |
| 12011-2056 | 01 | 49078-2089 | 01 | 92154-2003 | 05 | | | | |
| 12016-2067 | 03 | 49088-2584 | 11 | 92154-2003 | 07 | | | | |
| 12032-2074 | 03 | 49103-2177 | 07 | 92154-2005 | 12 | | | | |
| 12043-2001 | 03 | 49106-2676 | 09 | 92154-2006 | 04 | | | | |
| 13001-2175 | 02 | 49110-2102 | 07 | 92154-2006 | 05 | | | | |
| 13002-2102 | 02 | 49120-0864 | 01 | 92154-2009 | 03 | | | | |
| 13008-6073 | 02 | 49121-7014 | 08 | 92154-2011 | 01 | | | | |
| 13031-2129 | 02 | 51004-2117 | 10 | 92154-2012 | 01 | | | | |
| 13070-2118 | 03 | 51049-2087 | 10 | 92154-2014 | 06 | | | | |
| 13070-2124 | 11 | 56033-2087 | 13 | 92154-2015 | 11 | | | | |
| 13070-2125 | 11 | 56071-0358 | 13 | 92154-2016 | 06 | | | | |
| 130AA0618 | 07 | 56080-0767 | 13 | 92154-2017 | 06 | | | | |
| 13107-7024 | 08 | 59041-2098 | 05 | 92154-2018 | 07 | | | | |
| 13116-2076 | 03 | 59101-2128 | 11 | 92154-2022 | 01 | | | | |
| 13165-2108 | 11 | 59106-2187 | 11 | 92171-2088 | 01 | | | | |
| 13168-2518 | 07 | 59231-2099 | 04 | 92171-7016 | 07 | | | | |
| 13168-2519 | 07 | 92004-2162 | 09 | 92172-2107 | 03 | | | | |
| 13236-7008 | 12 | 92004-2164 | 09 | 92172-2108 | 01 | | | | |
| 13251-0721 | 02 | 92009-2083 | 08 | 92172-2131 | 11 | | | | |
| 14037-2154 | 05 | 92009-2349 | 08 | 92172-7002 | 08 | | | | |
| 14041-0590 | 01 | 92015-2051 | 07 | 92173-1422 | 10 | | | | |
| 14075-0032 | 04 | 92022-2372 | 07 | 92173-1439 | 04 | | | | |
| 14091-2138 | 01 | 92026-2361 | 02 | 92192-1574 | 10 | | | | |
| 14091-2139 | 04 | 92033-2199 | 02 | 92192-2184 | 01 | | | | |
| 14091-2141 | 06 | 92038-2107 | 06 | 92192-2186 | 10 | | | | |
| 14091-2145 | 05 | 92043-2261 | 01 | 92200-2183 | 06 | | | | |
| 15004-7010 | 08 | 92043-2263 | 01 | 92200-2184 | 07 | | | | |
| 16009-2136 | 08 | 92045-1207 | 01 | 92200-2185 | 07 | | | | |
| 16014-7008 | 08 | 92049-0785 | 01 | 92200-7047 | 07 | | | | |
| 16020-7004 | 08 | 92049-2272 | 01 | 92210-2121 | 07 | | | | |
| 16025-7007 | 08 | 92049-2273 | 01 | 92210-2121 | 09 | | | | |
| 16041-7019 | 08 | 92049-7008 | 01 | 92210-2121 | 12 | | | | |
| 16041-7020 | 08 | 92055-2212 | 04 | 92210-2123 | 03 | | | | |
| 16060-2219 | 09 | 92055-2214 | 04 | 92210-2126 | 06 | | | | |
| 16073-2240 | 08 | 92063-7067 | 08 | | | | | | |
| 16073-2241 | 06 | 92063-7108 | 08 | | | | | | |
| 16126-2247 | 01 | 92063-7109 | 08 | | | | | | |
| 16154-7002 | 04 | 92066-2257 | 04 | | | | | | |
| 16154-7004 | 03 | 92070-2119 | 06 | | | | | | |
| 16169-2148 | 07 | 92081-2234 | 08 | | | | | | |
| 16171-2106 | 07 | 92093-2100 | 08 | | | | | | |